



FLANGE TOOL INNOVATION

PRODUCT DATA SHEET

SWi12/14TM

INNOVATIVE MECHANICAL
FLANGE SPREADING WEDGE

SPREADING FORCE:

12 T (120 kN) 1st step

14 T (140 kN) 4th step

SPREADING DISTANCE:

6.0 mm - 103.5 mm (0.24" - 4.1")

WEIGHT: 6.2 kg (13.7 lb)

CAPABILITIES

With 175 N·m (130 ft·lb) torque applied:

12 T spread force (1st step)

14 T spread force (4th step)

6.0 mm – 87.5 mm
(0.24" - 3.4") spread over 4 steps
(without stepped blocks)

48.5 mm – 103.5 mm
(1.9" - 4.1") spread over 2 steps
(with stepped blocks)

6.0 mm – 40.0 mm
(0.24" - 1.6") spread
using only 1st step



USER FEATURES

- Practical, portable and lightweight
- Moulded plastic handle for comfort
- Revolving handle to aid horizontal or vertical spreading
- Offset handle is directly over the centre of mass
- Removable handle for improved access
- Revolving lanyard connection point
- Spread indicator markings for clear precise visual progress feedback

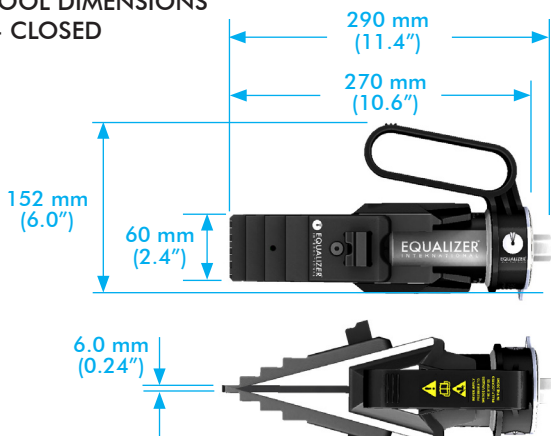
SAFETY FEATURES

- No finger pinch-points
- Increased step depth on upper steps
- Safety lanyard – 1.0 m (39") length
- Forged key components for strength and reliability

MAINTENANCE FEATURES

- Rapid disassembly and assembly
- Quick jaw replacement – remove 1 fastener
- Quick tip replacement – remove 2 fasteners
- Narrow jaw teeth – improved tool wear

TOOL DIMENSIONS - CLOSED



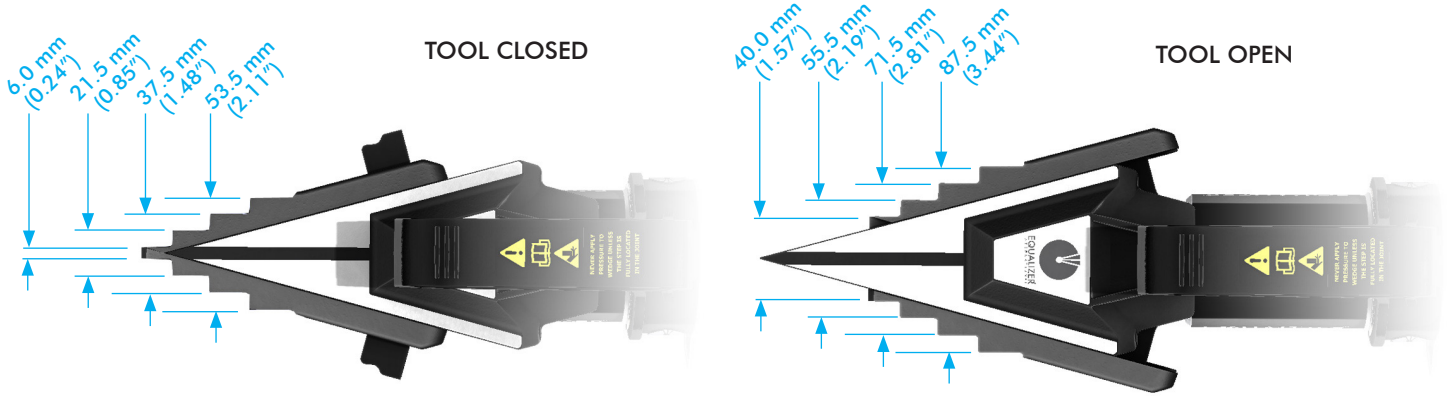
SWi12/14TM

INNOVATIVE MECHANICAL
FLANGE SPREADING WEDGE

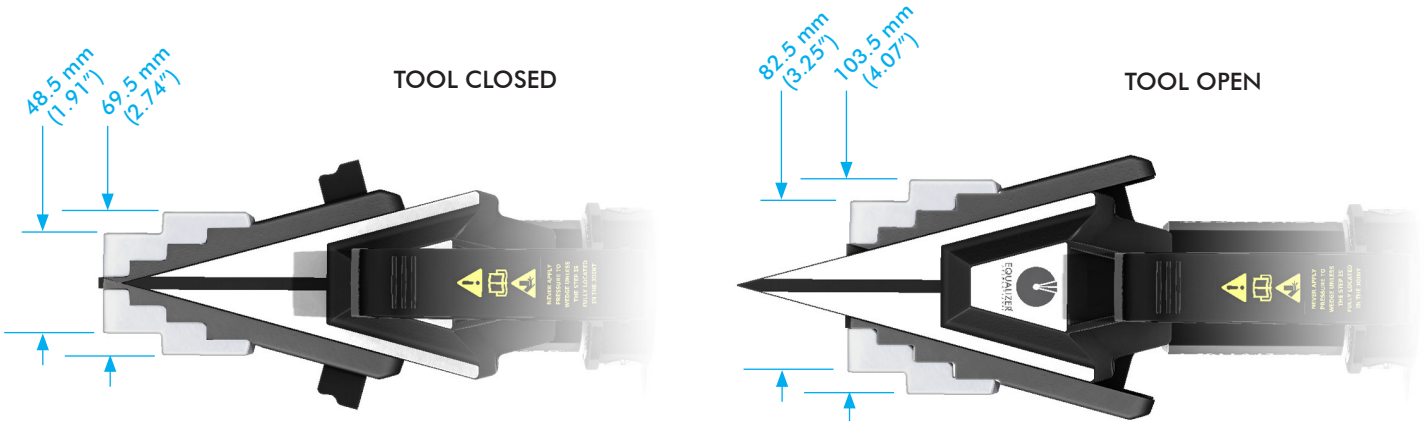


FLANGE TOOL INNOVATION

JAW DIMENSIONS (WITHOUT STEPPED BLOCKS ATTACHED)



JAW DIMENSIONS (WITH STEPPED BLOCKS ATTACHED)



STANDARD KIT

- 1 x SWi12/14TM Mechanical Flange Spreader Wedgehead
- 1 x 12/14TM Mechanical Cylinder
- 1 x Torque Wrench with 22 mm Socket
- 1 x Set of Safety Blocks
- 1 x Pair of Stepped Blocks
- 1 x Safety Lanyard
- 1 x Hex Key
- 1 x Instruction Manual
- 1 x Plastic Carry Case

Product Code: SWi1214TMSTDSPB

Carry Case Dimensions:

580 mm x 330 mm x 165 mm (22.8" x 13.0" x 6.5")

Gross Kit Weight 13.0 kg (28.7 lb)

